



# HF-Regulator Intelligent Touch DALI for TL5/TL-D/PL-L lamps

HF-Ri TD 280 TL5/PL-L E+ 220-240V

This intelligent high-frequency electronic dimming ballast utilizes the DALI or Touch and Dim push-button protocol for fluorescent lamps. It meets A1BAT requirements, thereby pre-empting upcoming legislation. With a special command you can retrieve the system's mains power consumption, and with another you can find out which lamp wattage is connected. Combined with controls, additional energy savings can be achieved.

## Product data

### • General Information

Application Code	E+
Type Version	mk1
Lamp Type	TL5/PL-L
Number Of Lamps	2 piece/unit
Number Of Products On MCB (16A Type B) (Nom)	9
Automatic Restart	Yes

### • Operating and Electrical

Input Voltage	220 to 240 V
Input Frequency	50 to 60 Hz
Operating Frequency (Max)	- kHz
Operating Frequency (Min)	- kHz
Ignition Method	Warm Start
Crestfactor (Max)	1.7
Power Factor 100% Load (Nom)	0.95
Ignition Time (Max)	0.2 s
Mains Voltage Performance (AC)	-8%+6%
Mains Voltage Safety (AC)	-10%+10%
Earth Leakage Current (Max)	0.5 mA
Inrush Current Width	0.35 ms
Standby Power Consumption (Max)	0.25 W
Ballast Factor (Nom)	1.0
Power Losses (Nom)	11.3 W
Inrush Current Peak (Max)	35 A

### • Wiring

Connector Type	WAGO 251 universal connector
Input Terminals	[ Suitable for both automatic wiring (ALF and ADS) and manual wiring]
Cable Capacity	150 pF
Output Wires Mutual (Max)	
Connector Type	WAGO 251 universal connector
Output Terminals	[ Suitable for both automatic wiring (ALF and ADS) and manual wiring]
Connector Type	WAGO 251 universal connector
Control Input Terminals	[ Suitable for both automatic wiring (ALF and ADS) and manual wiring]
Wire Striplength	8.0-9.0 mm
Dual Fixture Master/Slave	- [ not specified]
Control Input Terminal Cross Section	0.50-1.00 mm <sup>2</sup>
Input Terminal Cross Section	0.50-1.00 mm <sup>2</sup>
Output Terminal Cross Section	0.50-1.00 mm <sup>2</sup>
Auto Insert (ALF/ADS) Wire Cross Section	0.5 mm <sup>2</sup>
Cable Capacity	150 pF
Output Wires To Earth (Max)	

### • System characteristics

Rated Ballast-Lamp Power	80 W
--------------------------	------

**PHILIPS**

# HF-Regulator Intelligent Touch DALI for TL5/TL-D/PL-L lamps

## • Temperature

T-Ambient (Max)	50 °C
T-Ambient (Min)	15 °C
T-Storage (Max)	80 °C
T-Storage (Min)	-40 °C
T-Case Lifetime (Max)	75 °C
T-Case Maximum (Max)	75 °C
Stable Lamp Operation Temperature	Not specified
T-Ignition (Max)	50 °C
T-Ignition (Min)	0 °C

## • Controls and Dimming

Control Interface	TD
Regulating Level	1%-100%
Power	
Control Input Protection	Yes (Basic insulation)

## • Mechanical and Housing

Housing	L 425x30x21
---------	-------------

## • Emergency Operation

Battery Voltage Lamp Ignition	220 V
Battery Voltage Lamp Operation	154-276

## • Approval and Application

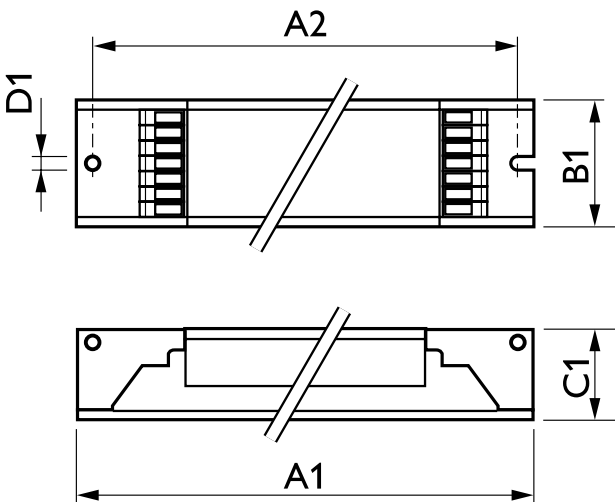
Energy Efficiency Index	A1
EMI 9 kHz ... 30 MHz	EN55015

EMI 30 MHz ... 1000 MHz	Level = Class
Safety Standard	IEC 61347-2-3
Performance Standard	IEC 60929
Quality Standard	ISO 9000:2000
Environmental Standard	ISO 14001
Harmonic Current Emission Standard	IEC 61000-3-2
EMC Immunity Standard	IEC 61547
Vibration Standard	IEC 68-2-6 Fc
Bumps Standard	IEC 68-2-29 Eb
Humidity Standard	EN 61347-2-3 clause 11
Approval Marks	EMC CE marking ENEC certificate CCC certificate
Temperature Marking	Yes
Emergency Standard	IEC 60598-2-22
Hum And Noise Level	30 dB(A)

## • Product Data

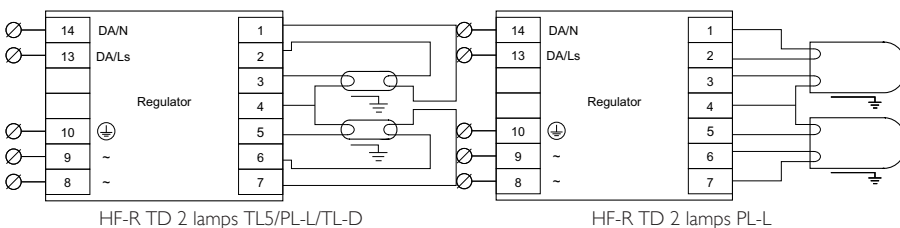
Full product code	871150091067730
Order product name	HF-Ri TD 280 TL5/PL-L E+ 220-240V
EAN/UPC - Product	8711500910677
Order code	913700609666
Numerator - Quantity Per Pack	1
Numerator - Packs per outer box	12
Material Nr. (12NC)	913700609666
Net Weight (Piece)	0.417 kg

## Dimensional drawing



## HF-R TD 280 TL5/PL-L E+

Product	D1	C1	A1	A2	B1
HF-Ri TD 280 TL5/PL-L E+ 220-240V	4.2 mm	22 mm	424 mm	415 mm	30 mm





© 2015 Philips Lighting Holding B.V.  
All rights reserved.

Specifications are subject to change without notice. Trademarks are the property of Koninklijke Philips N.V. (Royal Philips) or their respective owners.

[www.philips.com/lighting](http://www.philips.com/lighting)

2015, December 23  
data subject to change